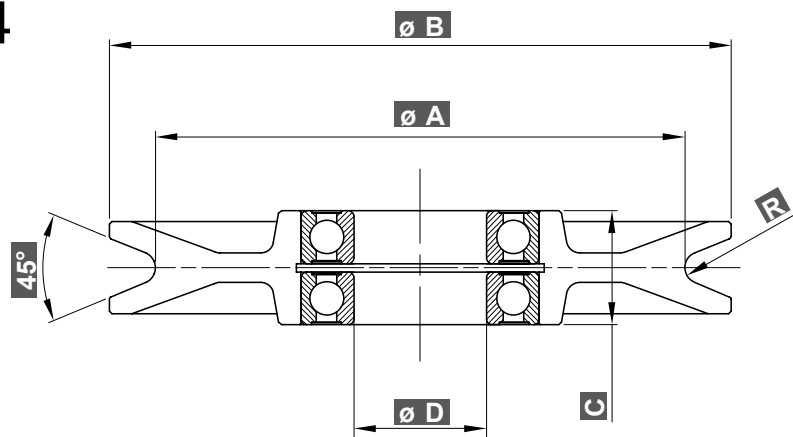


Kladka ložisková 1SB2

Kladka ložisková 1SB4



Forged sheaves, the ultimate resistance.

Delivered electrogalvanized.

Possibility for induction hardening of the throat and heavy duty bearings.

For special dimensions calendered sheaves or machined from solid on demand.

