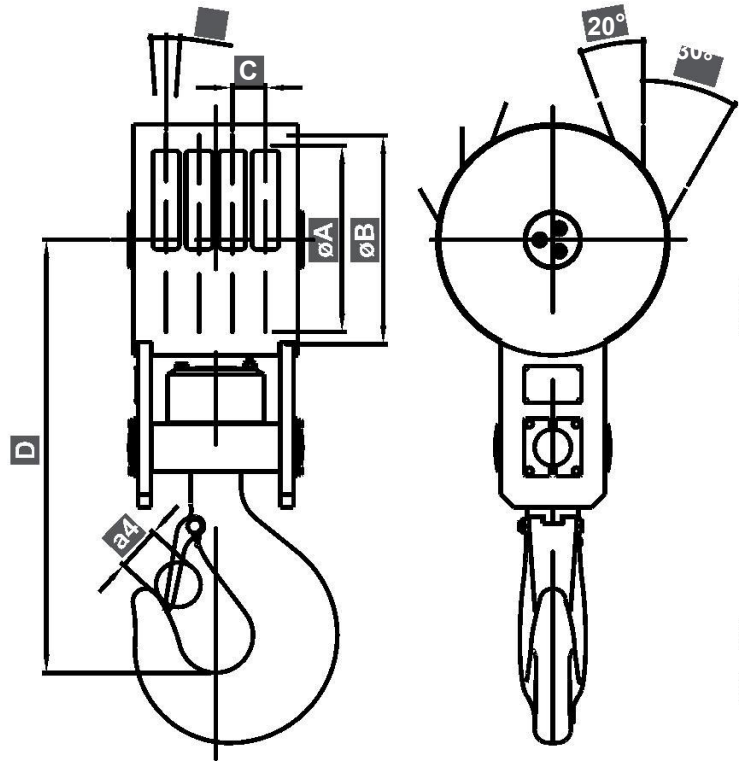


LANOCEL Jeřábová kladnice 1HM



Meets F.E.M. 1.001

Size	Point Hook DIN15401	Code	Rope mm	Load capacities t		Dimensions					Weight kg
				M5	M6	a4 mm	A mm	B mm	C mm	D mm	
08	10-T	1HM 082 08	13	25	20	81	280	330	54	640	185
			14								
09	12-T	1HM 092 09	15	32	25	90	320	375	60	750	255
			16								
10	16-T	1HM 102 10	17	40	32	100	355	425	65	850	330
			18								
11	20-T	1HM 112 11	19	50	40	110	400	470	70	915	470
			20								